



1441 Wolf Creek Trail • P.O. Box 305
PT Tech USA: +1 330 239 4933
sales@pttech.com www.pttech.com



HPTO 10

MICROPROCESSOR
CONTROLLED
HYDRAULIC
CLUTCH

The HPTO10 is a hydraulically applied dry friction clutch for diesel engine applications. Its hydraulic piston design eliminates the need to adjust the clutch throughout its wear life.

Clutch Controller

The microprocessor based clutch controller allows for a consistent startup process every time, extending the life of the clutch.

The start-up sequence (patent pending software) involves a series of pulses delivering up to 200% peak engine torque. This means the HPTO10 can start equipment with significant inertia or even under partially jammed conditions.

The HPTO10 package increases equipment reliability and profitability with a consistent startup process every time.

For application or technical assistance please contact either PT Tech or PT Tech Europe.

Features & Benefits:

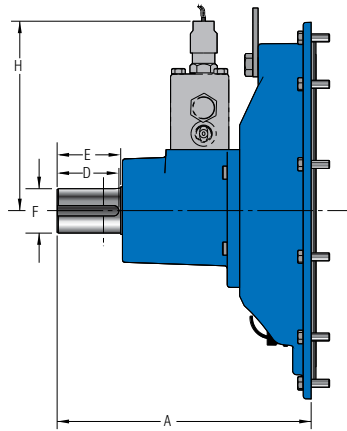
- Self adjusting for wear
- “Push button” start-up
- No Pilot bearing
- Can be remotely controlled
- Monitors and reports system status
- Prevents operator clutch abuse
- Internal rotary union allows for inline applications
- Designed to absorb shockloads





HPTO 10

MICROPROCESSOR
CONTROLLED
HYDRAULIC
CLUTCH

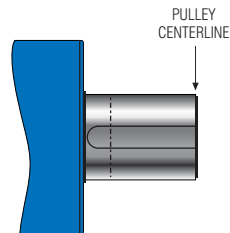


HPTO10 Dimensional Data

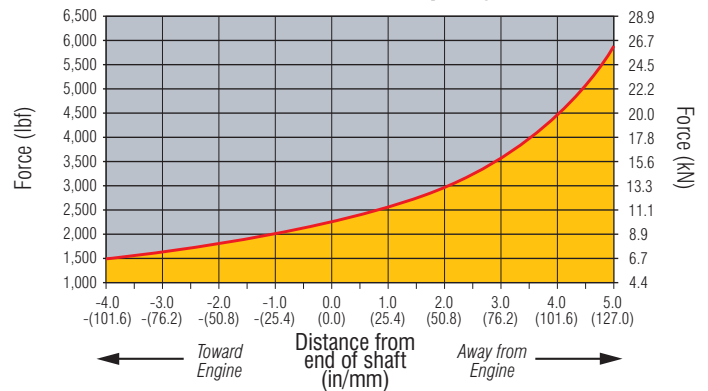
		Inches	mm
A	Overall Length	16.11	409.3
D	Useable Key Length	5.94	150.8
E	Useable Shaft Length	6.5	165.1
F	Shaft Diameter	2.5	63.47
H	Shaft Centerline to Manifold Top	11	279.4
	SAE Housing	#3	#3

V-belt Load Capacity

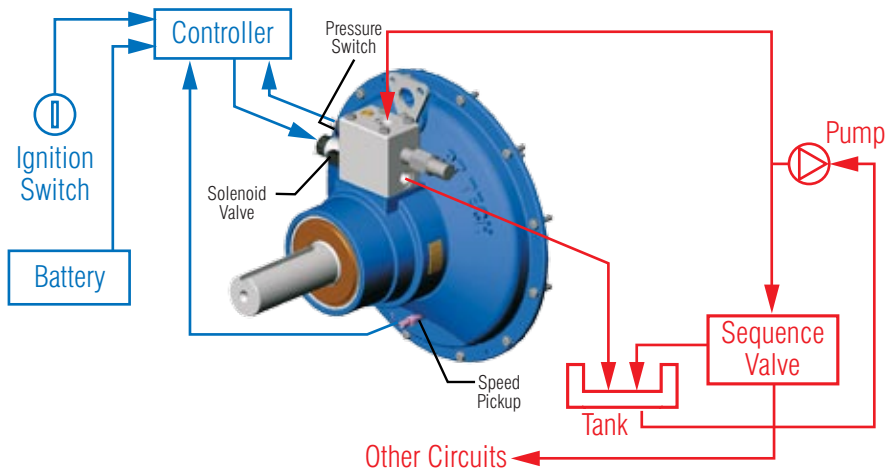
Always contact belt supplier to determine proper belt tension.



HPTO10TD Side Load Capacity



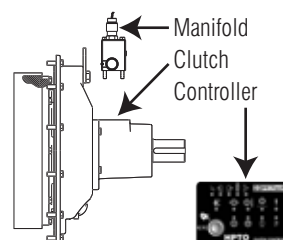
Hydraulic/Electrical System



Product Specifications

Power	140-250 Hp	104-186 kW
Torque	1500 lb-ft	2033 nm
Max Speed	2400 RPM	
Pressure	400-3000 PSI	28-210 BAR
Weight	195 lbs	88.5 kg
Housing	SAE # 3	
Mounts to	SAE 11-1/2 Flywheel	

Basic Package



PT Tech's HPTO Clutches

Dry Clutch Family

HPTO8	80-140 Hp	59-104 kW
HPTO10	140-250 Hp	104-186 kW
HPTO12	250-460 Hp	186-343 kW

Wet Clutch Family

HPTO12TV	250-475 Hp	186-354 kW
HPTO14	475-765 Hp	354-570 kW
HPTO15	765-1050 Hp	570-783 kW
HPTO21	1050-1600 Hp	783-1193 kW