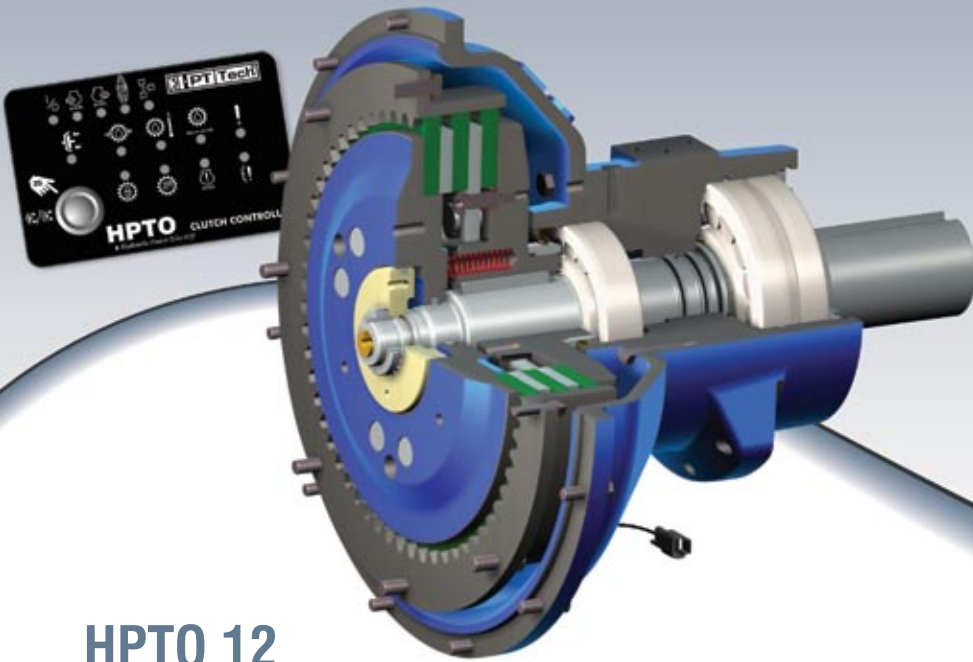




1441 Wolf Creek Trail • P.O. Box 305
PT Tech USA: +1 330 239 4933
sales@pttech.com www.pttech.com



HPTO 12

MICROPROCESSOR
CONTROLLED
HYDRAULIC
CLUTCH

The HPTO12 is a hydraulically applied dry friction clutch for diesel engine applications. Its hydraulic design eliminates the need to adjust the clutch throughout its wear life. The HPTO12 comes in both SAE (HPTO12TD) and Metric (HPTO12TS) configurations.

Clutch Controller

The microprocessor based clutch controller allows for a consistent startup process every time, extending the life of the clutch.

The BASIC2 controller can be integrated into the equipment's control system the SAE J1939 CAN-bus protocol.

The start-up sequence (patent pending software) involves a series of pulses delivering up to 200% peak engine torque. This means the HPTO12 can start equipment with significant inertia or even under partially jammed conditions.

The HPTO12 package increases equipment reliability and profitability with a consistent startup process every time.

For application or technical assistance please contact either PT Tech or PT Tech Europe.

Features & Benefits:

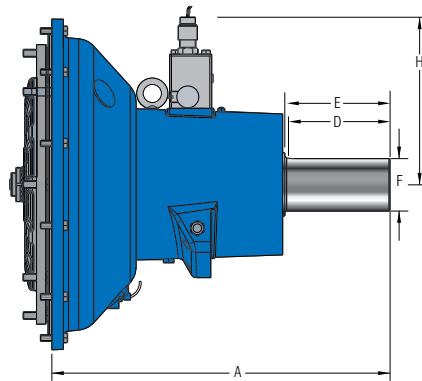
- Self adjusting for wear
- "Push button" start-up
- No Pilot bearing
- Can be remotely controlled
- Monitors and reports system status
- Prevents operator clutch abuse
- Internal rotary union allows for inline applications
- Designed to absorb shockloads
- SAE J1939 CAN-bus capable





HPTO 12

MICROPROCESSOR
CONTROLLED
HYDRAULIC
CLUTCH

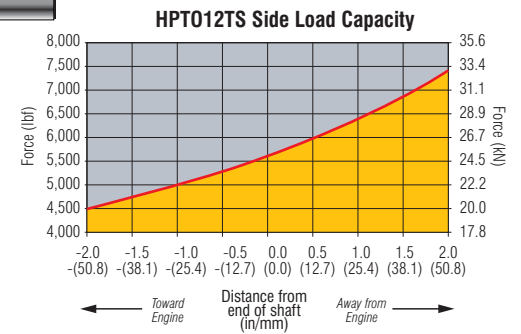
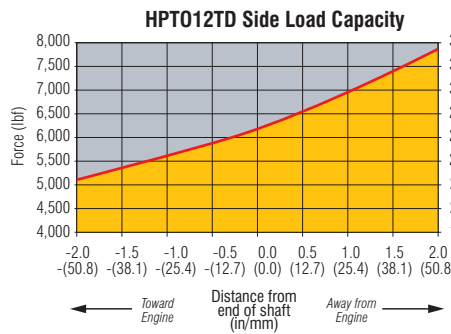
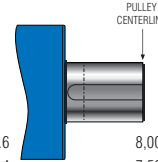


HPTO12 Dimensional Data

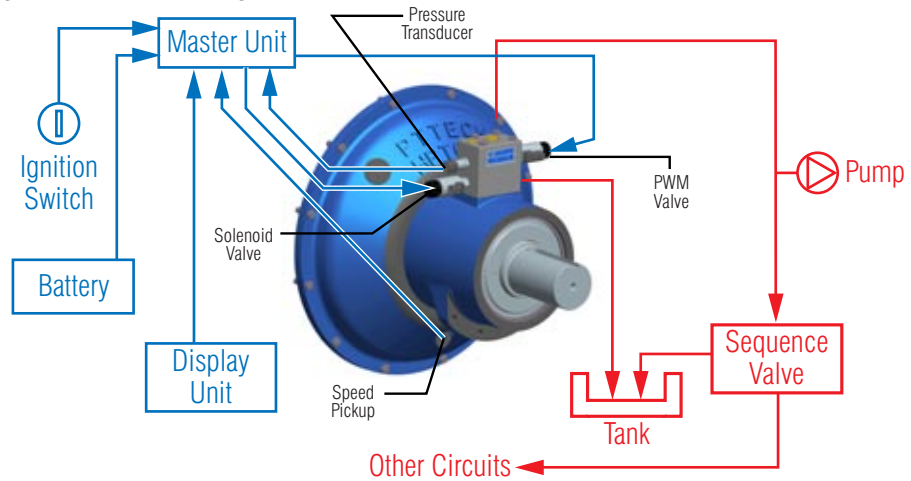
	MODELS	
	SAE HPTO12TD	METRIC HPTO12TS
A	Inches	mm
D	22.08	494.3
E	6.31	124.2
F	6.875	142.9
H	3.5	90
	11 1/2	292.1
SAE Housing	#1	#1

V-belt Load Capacity

Always contact belt supplier to determine proper belt tension.



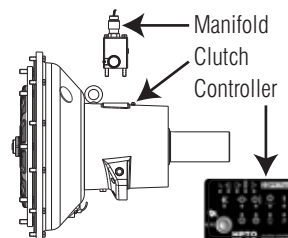
Hydraulic/Electrical System



Product Specifications

Power	250-460 Hp	186-343 kW
Torque	3000 lb-ft	4067 nm
Max Speed	2250 RPM	
Pressure	400-2500 PSI	28-173 BAR
Weight	410 lbs	186 kg
Housing	SAE # 1	
Mounts to	SAE 14 Flywheel	

Basic Package



PT Tech's HPTO Clutches

Dry Clutch Family

HPTO8	80-140 Hp	59-104 kW
HPTO10	140-250 Hp	104-186 kW
HPTO12	250-460 Hp	186-343 kW

Wet Clutch Family

HPTO12TV	250-475 Hp	186-354 kW
HPTO14	475-765 Hp	354-570 kW
HPTO15	765-1050 Hp	570-783 kW
HPTO21	1050-1600 Hp	783-1193 kW